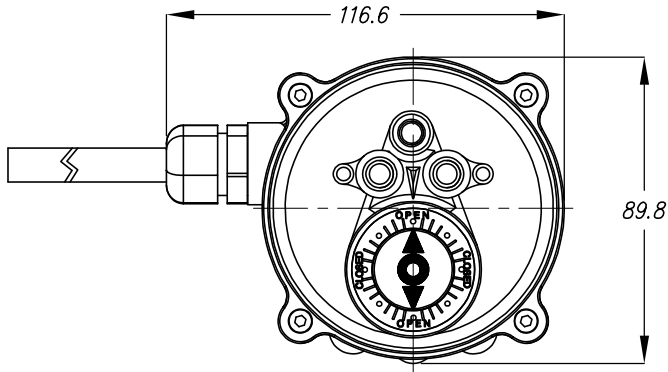
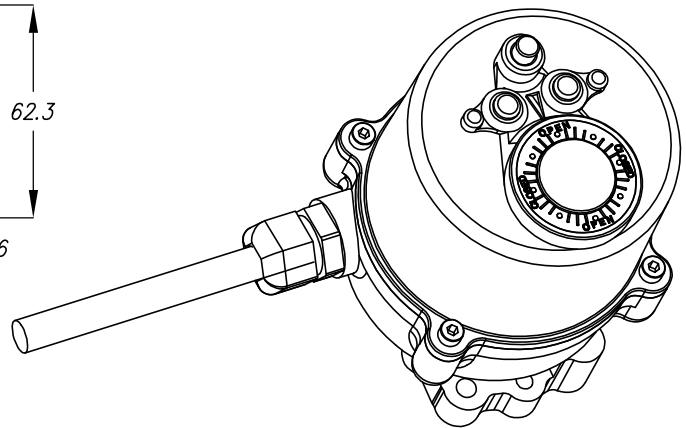
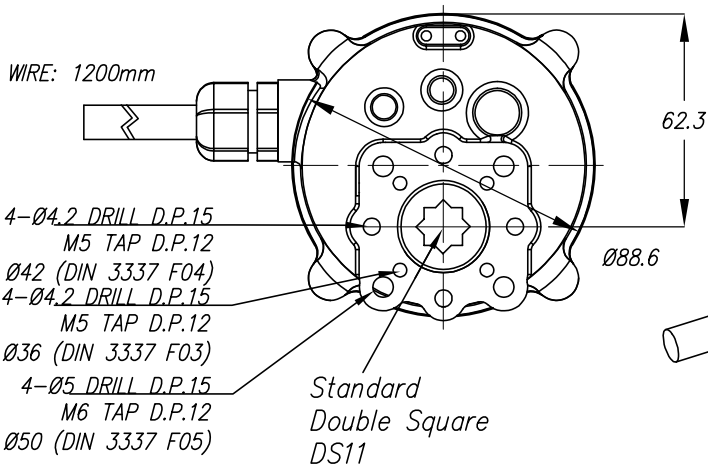
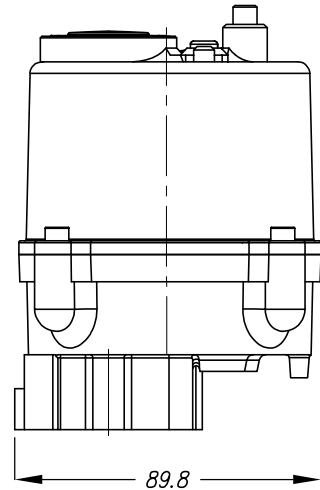
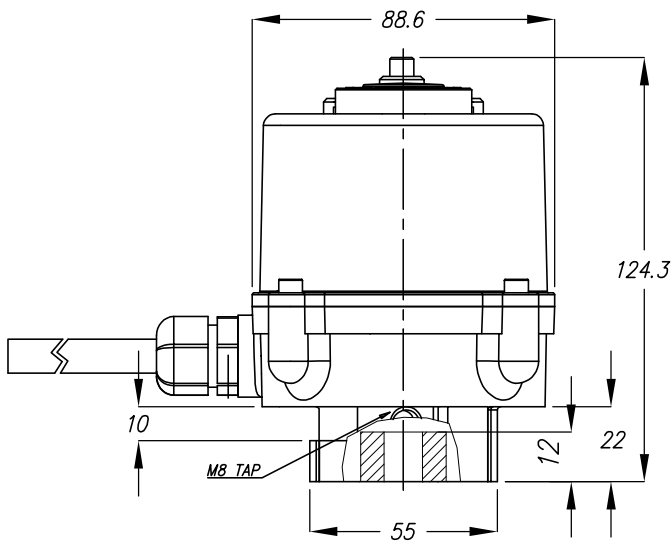


# ELECTRIC ACTUATOR ELA40 WITH DRIVE BUSHING

DOUBLE SQUARE INSERT DS11



ENCLOSURE: IP67  
 TORQUE: 4Kg.m/40Nm/354 lb-in  
 OPERATION TIME: 12sec  
 POSITION SWITCH: 4 SPDT SWITCH  
 CABLE ENTRY: PG11  
 MOUNTING FLANGE: F03/F04/F05  
 acc. to DIN/ISO5211



DATE:  
08-11-2012

REV. DATE:

econ®

DRAWN:  
FWP

CHECKED:  
RTH

DWG. Nr.:  
7907-1

REV.: